

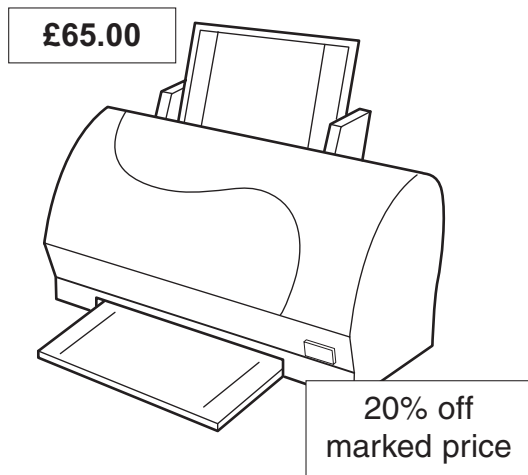
1. I have a bag of yellow, red and blue beads.

There are 60 beads in the bag. 40% of the beads are red.

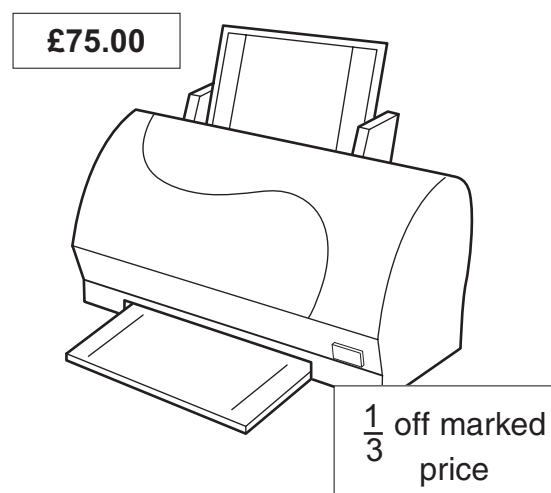
There is an equal number of yellow and blue beads.

How many beads are blue? _____

2. A



- B



Which is the better buy, A or B? Justify your answer.

3. 55% of the 80 children in Year 6 are boys.

75% of the boys in Year 6 have a computer.

How many boys do not have a computer? _____

4. 30% of the chocolates in a box are wrapped.

There are 9 wrapped chocolates.

How many chocolates are unwrapped? _____



5. Each day of a sale, the price of a television is 25% less than the previous day's price. On day 4 of the sale, the price is £135.

(a) What was the price of the television on day 1 of the sale? _____

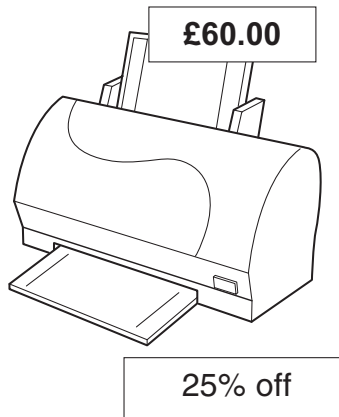
(b) What will the price be on day 5? _____

How much do you save on each item?

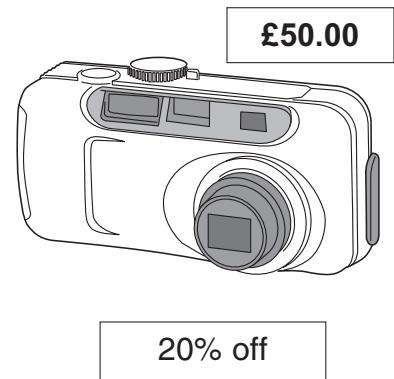
1.



2.



3.



4. There are 80 children in a school.
5% of the children are left handed.
How many children are left handed? _____

5. Each week Jack saves 30% of his pocket money.
He gets £5 a week. How much does he save each week? _____

6. A pullover is 65% wool. The rest is cotton.
What percentage is cotton? _____

7. 25% of the children in a class bring a packed lunch.
There are 28 children in the class.
How many bring a packed lunch? _____