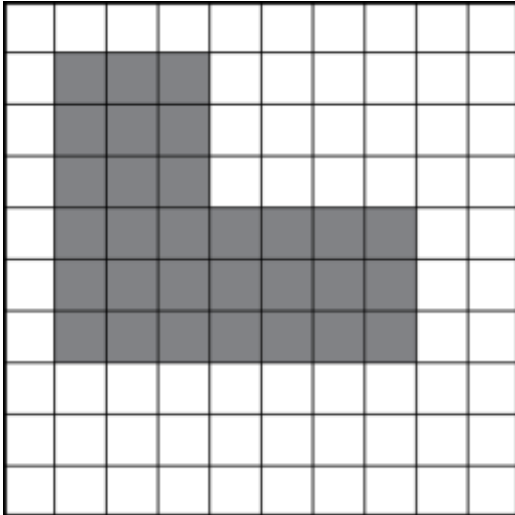


Divide each shape into rectangles or triangles. The grid represents 1 cm² paper.

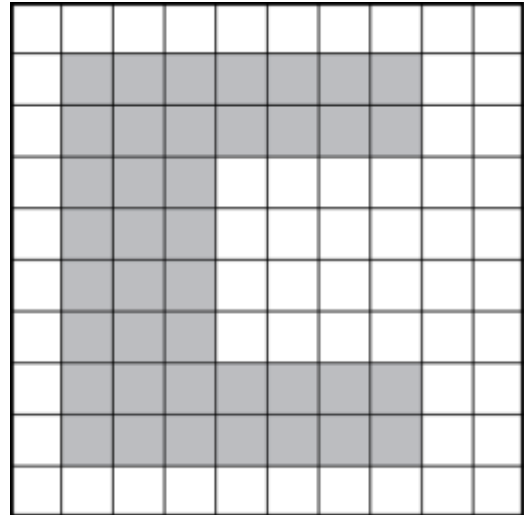
Use known formulae to calculate the area.

1.



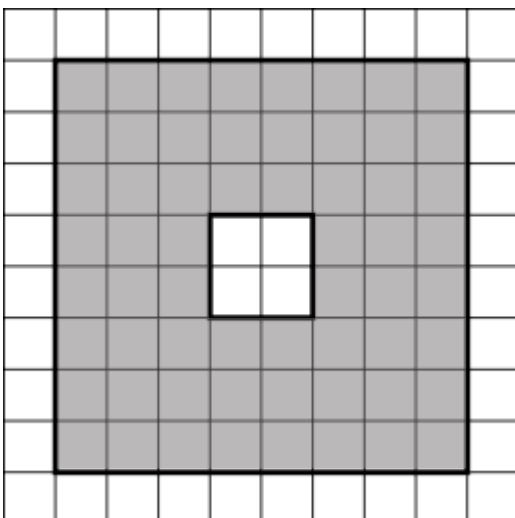
Area:

2.



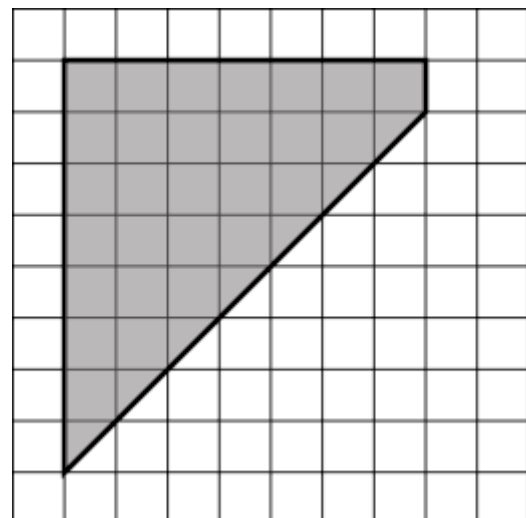
Area:

3.



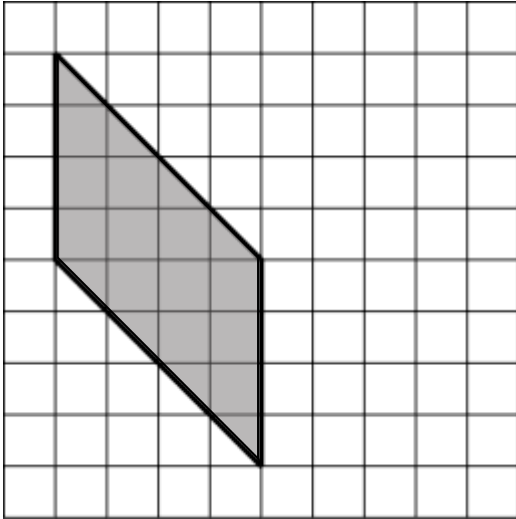
Area:

4.



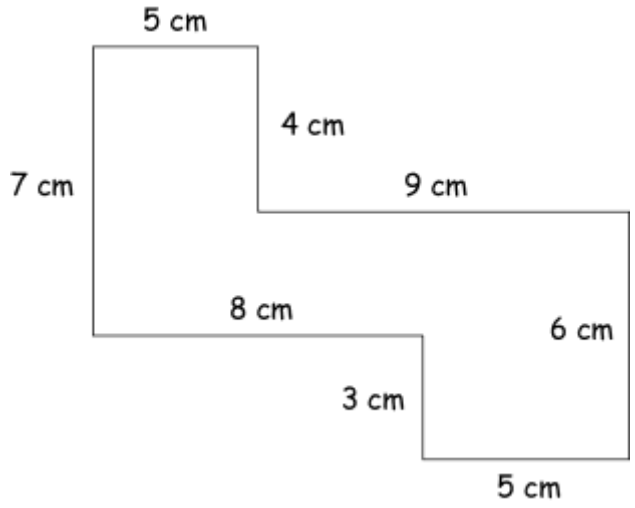
Area:

5.



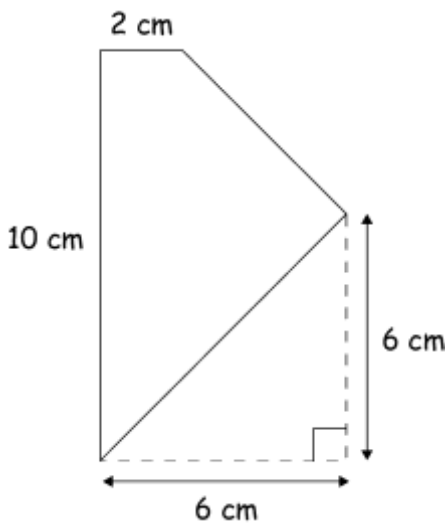
Area:

6.



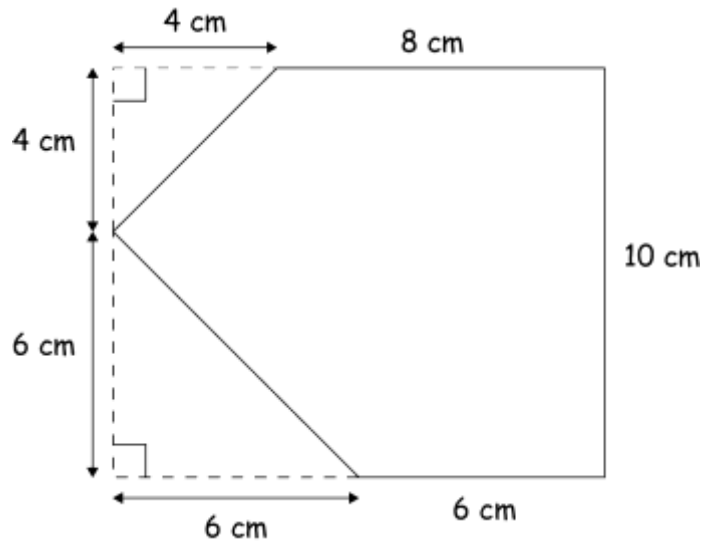
Area:

7.



Area:

8.



Area: